

Wireless colour video doorphone

User manual

IDA APPROVED

BRAND : CHOICE

MODEL : WLVDK3224



Thank you for purchasing our wireless video door phone system. Before carrying out the installation, please read this user's manual carefully and follow all the guidelines during the process of installation and operation.

Contents

Features	1
Components checklist	1
Products description	2
Cradle	3
Charger fixing procedure	4
Button description	5
ID NO. display	5
Coding	5
Receive code	6
Code clearing	7
Setting of ring tone	7
Brightness adjustment	8
Surveillance	8
Basic operation	9
Night-vision operation	11
Unlocking time setting	11
Installation	12
Lock connection	13
Technical specifications	14
Trouble shooting	15
Propagation of radio waves	16
Battery specifications	16
Notes	17
Guarantee	17

Features

- Wireless colour video doorphone
- Mobile handset with 2.4 TFT-LCD screen
- Identify and screen callers
- Unlock doors remotely for visitors
- Range in free field 300 meters
- 12 selectable ringtones
- Handset to handset communication (Paging)
- Infra red camera in outside call station to see callers at night
- Expand to a 2-way system by adding a call station & handset
- Rechargeable battery via mini USB interface
- Standby status 72 hours
- Easy to install
- Built-in surveillance mode function

Components checklist

Package contents:

one outdoor camera/call station, one handset monitor (include Li-ion battery), one power adaptor for call station (DC5V, 1A), one charger for handset monitor (DC4.5V, 0.8A), cradle and some screws for fixing the call station on the wall.

Components description:

Handset monitor	Charger	Call station	Power adaptor	Cradle
				

Products description

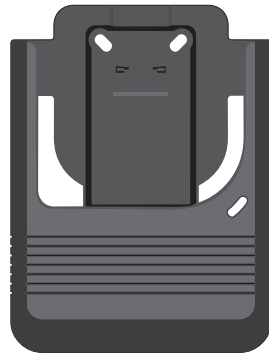
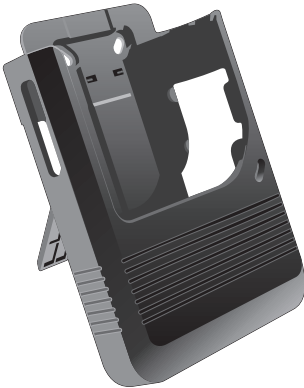


Cradle

1. Fixed on the desk



2. Fixed on the wall



Charger fixing procedure



(1)



(2)



(3)



(4)



(5)



(6)

Button description

"ON/OFF" button: It is used to power on/power off of wireless handset monitor.

"📞": Is used to: a) answer the calls when visitors press the call button in outdoor call station; b) as the confirmation button when performing the ringing tone selection; c) as the coding button when carrying out coding between the components.

"⊕": In standby status, it is used to enter the menus of ringing tone selections; in talk status, it is used to increase brightness.

"⊖": In talk status, it is used for reducing brightness.

"👤": Is used to switch on the camera in outdoor call station in order to monitor outside in standby status.

"🔓": It is used to operate an electric lock release when the monitor is in the "talk" status.

"🔄": Is used to clear the previous code .After this operation ,you should carry-out the coding procedure between or among the call stations and handsets again.

"⏻": Make it return to the default status .After this operation ,then it will enter the OFF status.

ID NO. display

Press the "ON/OFF" button when the handset monitor is in OFF status, until the 2.4 inch TFT-LCD displays "Welcome" and sounds two "Di Di" tones, then release the button. It means that the handset monitor is entering into the ON status.

Press the "ON/OFF" button when the handset monitor is in ON status, then the 2.4 inch TFT-LCD will show "Goodbye" and create two "Di Di" tones, then release the button. This indicates that the handset monitor is entering into OFF status.

When the outdoor camera is powered, a single "Di" tone indicates that call station 1 is being viewed. If a dual "Di Di" tone is sounded this confirms that the call station 2 is being viewed.

Coding

1). Press the "📞" and "👤" buttons at the same time when the handset monitor is in power-on status, until the screen shows the

letters "Configure code", then release the buttons and it will enter the coding status.

2).At this time, press the call button in outdoor camera when it is in standby status until the red indicator remains lit and creates two sounds "Di Di ", then release the button and it will enter the coding status.

3)If the handset monitor shows the letters "succeeded" within 8s, the coding is successful and the call station and handset monitor have successfully paired; at this time, the outdoor call station will create 3 sounds "Di Di Di". If the handset monitor shows the letters "failed" within 8S, then it means that the coding is failed and the outdoor station will have no response.

Note: After successful coding, then the outdoor camera and handset monitor are the 1st outdoor camera and 1st handset monitor respectively; if coding is failed, you should do the coding again.

Receive code

(only required when adding one more call station or one more handset monitor.)

Adding one more handset monitor :

1).Press the "📞" and "🔍" buttons at the same time, when the 1st handset monitor is in ON status until the screen shows "transmit code", then release the buttons and enter the "transmit code" status.

2).On the additional handset(2nd) after "transmit code" is displayed on the 1st handset, press the "📞" and "—" buttons at the same time on the 2nd handset when it is in ON status until the screen shows "receive code", then release the buttons and enter the "receive code" status, then press the "📞" button at this time in 2nd handset monitor. If it shows "succeeded" on the handset, it means that the coding has been successful.

Adding one more outdoor call station :

1).Press the "📞" and "🔍" buttons when the handset is in the ON status until the screen shows "transmit code", then release the buttons and enter the "transmit code" status.

2).Then press and hold the call button in outdoor call station until

you hear the two "Di Di" tones. Then release the call button in outdoor call station (Do not release until you hear the two Di Di tones). Then press the "📞" button in the handset at this time. If it shows "succeeded" on the handset, the coding has been successful.

Adding one more outdoor call station and one more handset monitor:

1). Press the "📞" and "↔️" button when the 1st handset monitor is in ON status until the screen shows "transmit code", then release the buttons and enter the "transmit code" status .

2). Then press the "📞" and "—" buttons at the same time when the 2nd handset monitor is in ON status until the screen shows "receive code", then release the buttons and enter the "receive code" status. Press the "📞" button at this time on 2nd handset monitor. If it shows "succeeded" on the handset, then it means that the coding is successful.

3). On the 2nd handset, press and hold the "📞" and "↔️" buttons when the 2nd handset monitor is in ON status until the screen shows "transmit code", then release the buttons and enter the "transmit code" status.


4). During this time, press the call button in 2nd outdoor call station until you hear two DiDi tones. Then release the call button in the outdoor call station (Do not release the button until you hear the two DiDi tones). If it shows "succeeded" in the handset, it means that the coding has been successful.

5). If all the coding is successful, press the "📞" button in the 1st handset monitor to return to the standby status .

Code clearing

Handset monitor: Keep pressing the "+" and "📞" buttons when the handset monitor is in OFF status. At the same time, then press the ON/OFF button in the handset monitor together until the screen displays "clear code " and creates one "Di" sound (still keep pressing the "+" and "📞" buttons when you press the ON/OFF button). This means that code clearing is successful. It will be in OFF status after releasing the buttons.

Outdoor call station:

Press the code-clear button (the code-clear button is in the back of outdoor call station, for details, please refer to the lock connection section. Its icon is ) and it creates one "Di" sound. This means that code clearing is successful.

Note: Be careful when doing this, as it will cause a malfunction. You will then need to carry out the coding procedure of outdoor call station and handset again. See above for CODING and RECEIVE CODE sections.

Setting of ring tone

Press the "+" (ring tone selection button) when the handset monitor is in standby status, until a ring tone sounds, the monitor is now in ring tone selection mode. At this time, press the "+" button successively to choose another tone (A total 12 ring tones are available for selection). After choosing your favorite tone, press the "🔊" button to confirm, or wait until the playing tone is ended, then it will auto-exit.

Adjusting brightness

There are 6 levels for brightness adjustment.

Press the "+" button when the handset monitor is in talk status or surveillance function (For details, please kindly refer to the BASIC OPERATION and SURVEILLANCE), then the brightness level will become higher. At this time, it will show "Val 0i" on the handset monitor ("i" is to indicate the brightness level). When the brightness is adjusted up to maximum level, if you press this button again, then it will be invalid.

Press the "-" button when the handset monitor is in talk status or surveillance status, then the brightness level will become lower. At this time, it will show "Val 0i" on the handset monitor ("i" is to indicate the brightness level). When the brightness is adjusted to minimum level, if you press this button again, then it will be invalid.


Surveillance

One to one intercom:




1). Press the  button when the handset monitor is in standby

status, then the screen will display "monitoring 01".

2).If the outdoor call station receives a signal within 1S, then it will display the 1st outdoor station; if not receiving the signal within 4S, then it will auto-exit the monitor status.

3).In monitor status, press the " " button again, then it will exit the monitoring of 1st outdoor call station. The monitor time is 60S. After 60S, it will auto-exit the monitor status.

One to two or two to two system:

1)Press the " " button when the handset monitor is in standby status, then it will monitor the 1st outdoor station (It will display monitoring 01"); press this " " button again, then it will monitor the 2nd outdoor station (It will display"monitoring 02"); press the " " button in third time, it will auto-exit the monitoring status.

2)If receiving a signal within 1S, then it will monitor the outdoor station; if not receiving the signal within 4S, then it will auto-exit the monitor status.

3)In standby status, press the " " button to start or end the monitoring of outdoor stations. After 60S, it will auto-exit the status.

Basic operation


one to one intercom:

1).In standby status, when a visitor presses the call button on call station, then the power indicator will still light.

2).a.If not receiving a response signal within 4S, then it will sound "Di Di Di Di", and it will end the call status and return to the standby status.

b.If receiving a response signal, the handset will display "Talking"and the outdoor station will still sound "Du Du", then the power indicators of handset/s will light and play the selected ring tone/s; meanwhile the TFT-LCD will display the visitor's image.

3).a.If no one answers the call, the call will last 60S and return to the standby status.

b.If some one presses the " " buttons, then it will stop playing the ring tone and enter the talk status (The indicators in handset monitors will turn from red to green and stay lit), the talk time is

120S.

4).In the process of talking, pressing the “↔” button will operate the relay at the call station which can be connected to operate an electric lock release and allow the visitors enter, the monitor will display “unlock” (If visibility is poor, pressing the “👤” button will activate the night-vision of outdoor camera).

5).In the process of talking, the user can press the “📞” button again to end the communication, and then handset monitor will enter the standby status after sounding two “Du Du” tones.

One to two intercom:

1)In standby status, when the visitors press the call button on call station, then the power indicators will light.

2).a.If not receiving a response signal within 4S, then it will sound “Di Di Di Di”, and end the call status and return to the standby status.

b. If receiving a response signal from any handset monitors, then the handset will display “Talking” and the outdoor call station will still sound “Du Du”. Then the power indicators of handset will remain lit and play the selected ring tone; meanwhile the TFT-LCD will display the visitor’s image.


3).a.If no one answers the call, the call will last 60S and return to the standby status.

b. If some one presses the “📞” button from any handsets, then it will stop playing the ringtone and enter the talk status (the indicator in handset will turn from red to green and remain lit), the talk time is 120S, while the 2nd handset will return back to standby status after creating one “ Di ” sound.

4).In the process of talking, pressing the “↔ ” button will operate the relay and allow the visitors to enter, the monitor will display “unlock” (pressing the “👤” button will activate the night-vision of outdoor camera).

5).In the process of talking, the user can press the “📞” button again to end the communication, and then it will enter the standby status after sounding two “Du Du” tones.

Handset intercom (Paging):


1).In standby status, if the user presses the “” in one handset monitor, then the red indicators will light and enter the call status. The screen will display “Talking”.


2).a.If there is no response signal with 4S from called handset monitor, after 4 “Di Di Di Di” tones, the handset will exit the callstatus and return to standby status.

b.If receiving a response signal with 4S from the called handset monitor, then the calling handset monitor will play the selected ring tone, then the called handset will display “Talking” and play its selected ring tone and the indicator light will remain lit.

3). a.If some one answers the call from called handset monitor, the call will last 60S and enter the standby status.


b. If some one answers the call from called handset monitor, then it will stop playing the ring tone and enter the “Talking” status (the indicators in both handset monitors will turn from red to green and remain lit), the talk time is 120S.

c.Meanwhile, if pressing the “” button in calling handset monitor, then it will end the call and enter into the standby status.

4).In the process of talking, the user can press the “” button again in any handset monitors to end the communication, then it will enter the standby status after hearing two “Du Du”.

Note: If the handset monitor is short of power, then it will indicate the user to charge the battery in handset monitor.

Night-vision operation

1).When the handset is in talking status, press the “” button to activate the night-vision of outdoor camera.

2).When the handset is in surveillance status, press the “” button to activate the night-vision of outdoor camera.

Unlocking time setting

1).The 1st unlocking time is 1.8S (In default status, this is the 1st unlocking method). With power disconnected from the call station, press and hold the call button in outdoor call station, at this time connect the power to call station, when the unit sounds a single “Di”

tone , release the call button and the unlocking time will now be set at 1.8 seconds

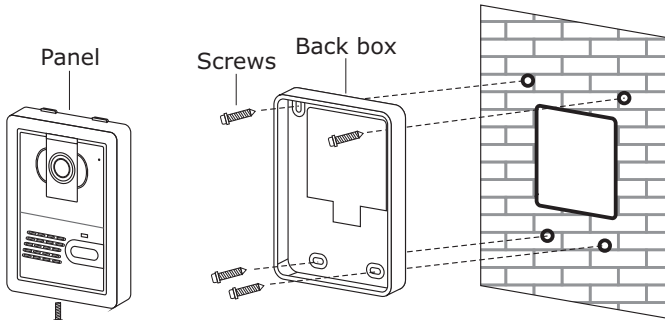
2).The 2nd unlocking time is 4S. With power disconnected, press and hold the call button on call station, and connect power to this call station. When you hear two "Di Di" tones, release the call button and the unlocking period will be set at 4 seconds.

3). The 3rd unlocking time is 8S. With power disconnected, press and hold the call button on call station, and connect power to the call station. When you hear three "Di Di Di" tones, release the call button and the unlocking period will be set at 8 seconds.

Note: The users can only unlock for the visitors during the talking and communication mode.

In communication status, if either part is powered-off, then the other will return back to standby status after one "Di" sound.

Installation



Step 1: Install the back box

Step 2: Install panel

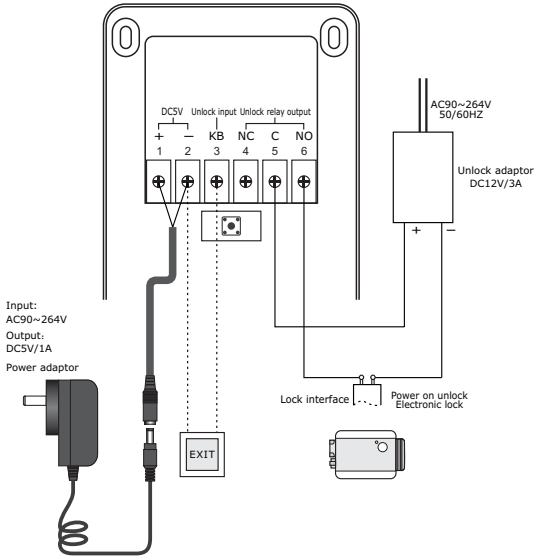
- 1).Release the call station from back box by removing the locking screw under the front edge of the unit
- 2).Drill proper wire-through holes according to the mounting units.
- 3).Use four screws to fix the installation panel on the wall.
- 4).Connect the cables from wire-through holes and square holes of rear panel in the call station.

(When an electric lock is not being connected, any unused cables or terminals should be protected and insulated to avoid the possibility of short circuits)

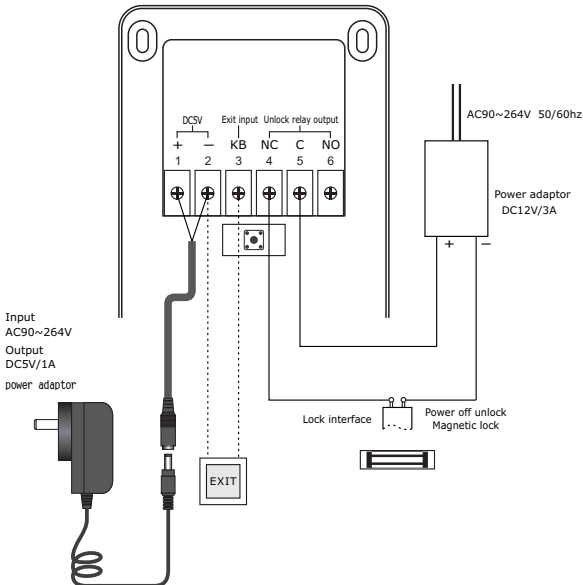
- 5).Use screws to fix the door station on the rear installation panel.

Lock connection

1).Power-on unlocking diagram



2).Power-off unlocking diagram



Technical specifications

Door Station	
Image Sensor	1/4" CMOS
Min. Illumination	0 Lu × (IR on)
Power	DC5V/1A
Current	20mA~30mA (standby), 300mA (operation)
Audio Input	12-digits digital audio signal, DAC interface, 8Kbps sampling speed rate
Image Compression	MJPEG compression
Transmission Power	16~20dBm
Ringing tone	12 options selectable
Dimension	127mm(H)×95mm(W)×37mm(D)
Weight	150g
Monitor	
Screen	2.4" TFT LCD
Effective Pixels	320 × 240
Power Source	DC4.5V/0.8A (rechargeable battery operated)
Battery Charging Time	For the first time, it is 7~10 hours; Later around 4 hours
USB port	For battery charge
Current	20mA~30mA/3.7V (standby), 250mA (Operation)
Receiving Sensitivity	-90dBm
Dimensions	118mm(H) × 77mm(W) × 19mm(D)
Weight	150g

Trouble shooting

Malfunction	Checking	Debug
Will not power on	Check by pressing the ON/OFF button	Press the ON/OFF button fully
	Check whether the power of lion battery is enough or not	Charge the battery
	Check the connection of power adaptor	Connect to the power adaptor
Battery not charging	Check whether the socket in power adaptor is plugged into the Mini-USB charging interface	Re-connect the socket and Mini-USB charging interface
	Check whether the power adaptor is plugged into the AC110~240V correctly	Plug the power adaptor into AC110~240V socket
Cannot page or talk between two handsets	Check the coding between two handsets or two call stations	Clear the existing codes and re-code between two handsets or two call stations
Images is flashing	Check whether the handset/s or callstations are located close interfering equipment such as TV sets or microwave ovens wireless router,etc	Keep handsets far away from the interfering equipments
No signal in the handset monitors	Check the connection with the power supply	Connect the power supply
	Check the distance between handset monitor and outdoor camera	Adjust the outdoor camera and handset monitor into proper distance
	Check whether there is nearby interfering electrical equipment such as microwave oven or wireless routers, etc	Keep away from strong magnetic,radio or electrical fields

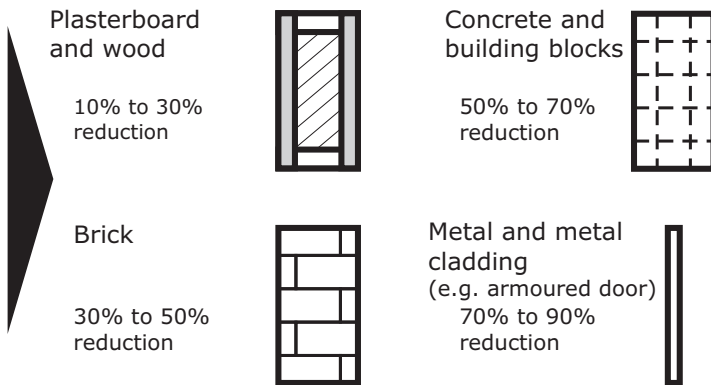
Propagation of radio waves

The radio coverage quality, and therefore the performance of the doorphone, may be altered by obstacles located between the door station and the interior handset unit:

walls, partitions, slabs, armoured doors or lift shaft comprising metallic components.

(Furthermore, radio coverage may also be affected by electrical or electromagnetic interference).

It is important to test the radio range on the installation site.



Battery specifications:

Battery	Type	Standby time	Charging limited voltage
3.7V,1050mAh	Li-ion battery	72hour	4.2V

The above marked time is in the specific situation and atmosphere

Use the authorized charger only

Do not disassemble the batteries

Do not short -circuit the batteries

Do not expose the batteries to extreme heat, fire or water

Notes

- 1).Handset monitors should be situated away from heat sources and water.
- 2).Products should be opened only by the professional personnel. If there is a malfunction please contact us or our agents.
- 3).Handset monitors should be located where there is a good ventilation, dry, dustless and not in direct sunlight. Don' t use the chemical impregnated or wet cloth to clean the products. Clean, soft, dry cloth can be used to clean the products.
- 4).Please install the products according to this instruction manual to avoid of damaging to the products.

Guarantee

One year warranty.