

4-Wire Smoke Detector with Sounder and Relay Output

Tough and Reliable
with Great Looks
at a Low Cost

Compatible with all security alarm system

Red LED

Flashes every 10 seconds to indicate that the smoke alarm is operating

Unique optical sensing chamber

Engineered to sense smoke by a wide range of combustion sources.

Test Button

Tests unit's electronic circuitry, horn and battery function

Unpolarized wire input

To prevent the likelihood of wiring errors



General Description

These sensors are designed to provide open area protection, and to be used with all the **Security alarm system**.

To reduce the likelihood of nuisance alarms, all detectors are equipped with both drift compensation and smoothing algorithms. These capabilities minimize both short- and long-term causes of nuisance alarms such as RF interference and dust accumulation.

Features and Benefits

- Compatible with all the security alarm system
- Alarm Relay Output
- Unpolarized wires input
- Wide range of operating voltages
- Unique optical sensing chamber
- Built in microprocessor intelligent software
- Test button: tests electronic circuitry, sounder
- Insect-resistant Screening
- Twist-on mounting bracket with tamper lock
- Drift compensation and smoothing algorithms



Smoke Detector with Sounder and Relay Output

Installation Guidelines

All wiring must be installed in compliance with the National Electrical Code, applicable state and local codes, and any special requirements of the local Authority Having Jurisdiction.

Figure 1. Dimension of detector:

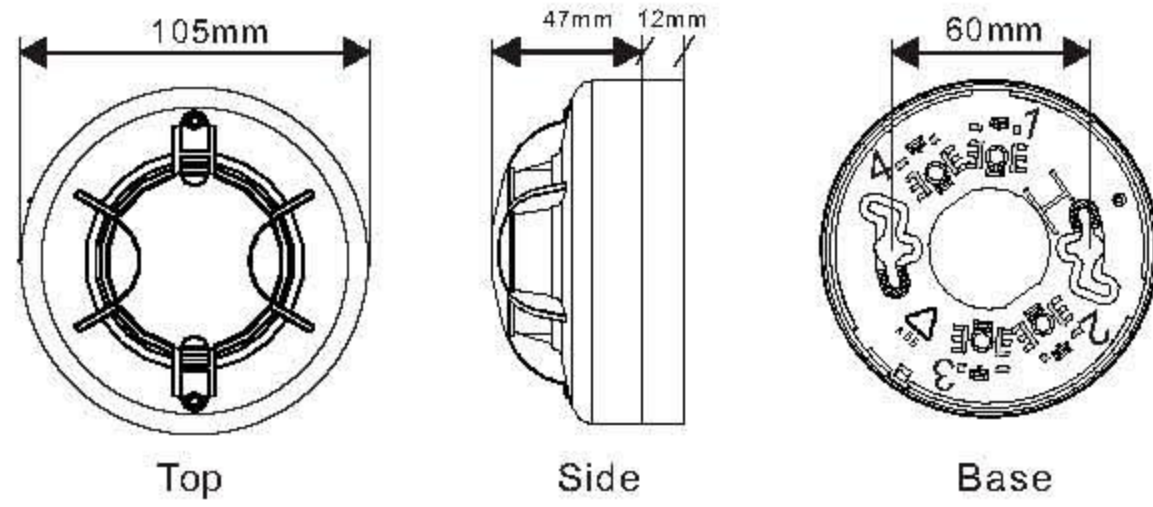
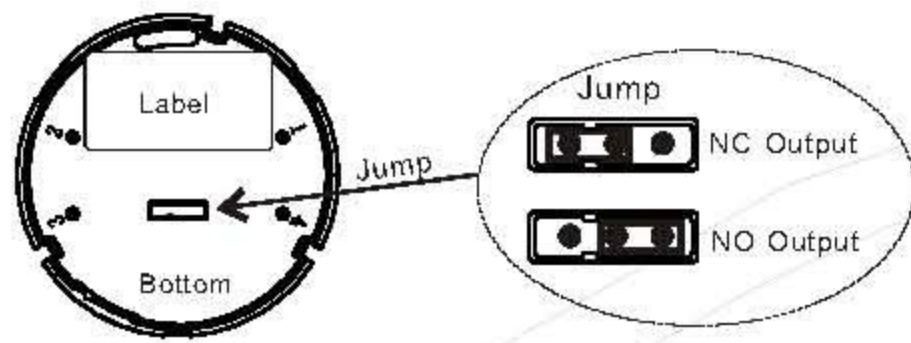


Figure 2. Relay NO/NC Output Setting



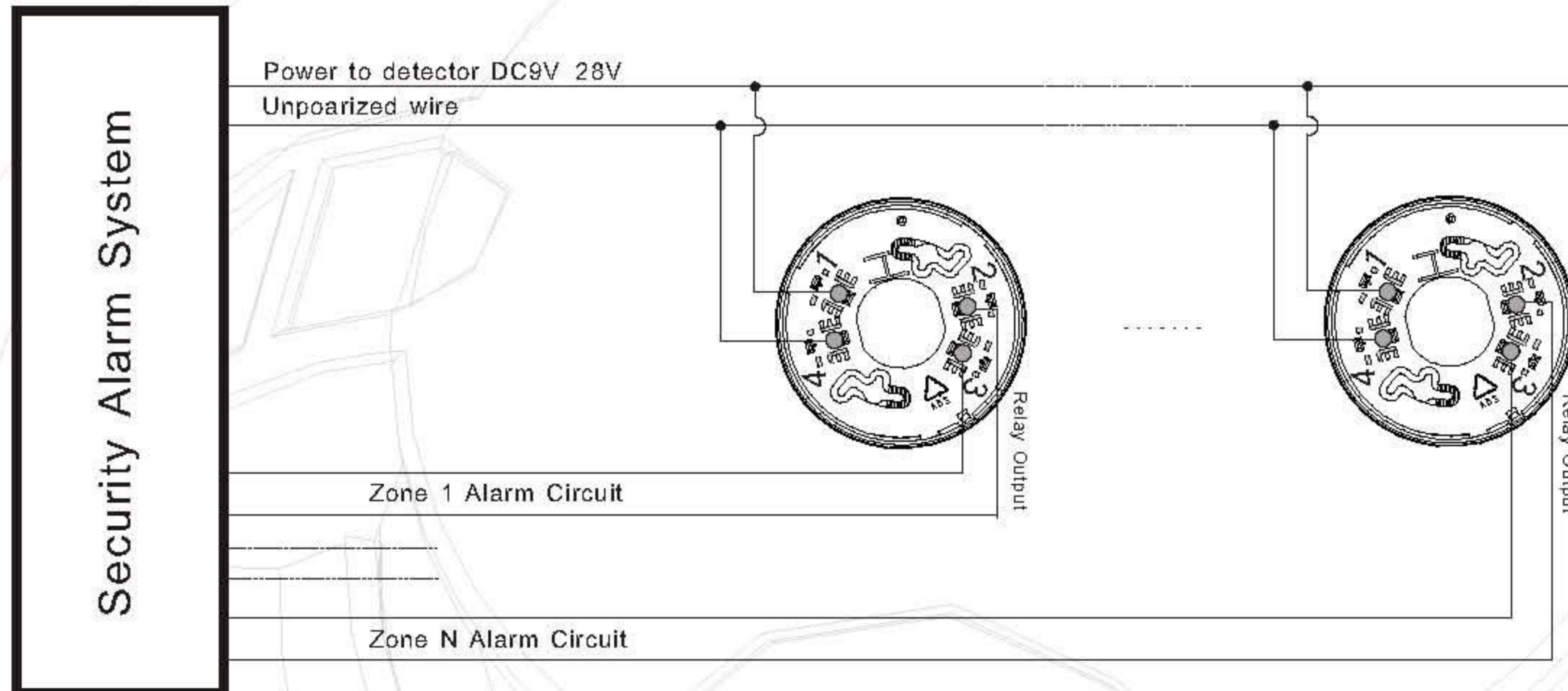
Technical Specifications

Diameter: 105mm
 Height (including mounting bracket): 59 mm
 Weight: 170 g
 Operating Temperature Range: 0°C to 50°C
 Operating Humidity Range: 10% to 93% Relative Humidity, Noncondensing
 Latching Alarm: Reset by momentary power interruption

Electrical Ratings

System Voltage (nominal): 12 to 24 VDC
 Minimum: 9 VDC
 Maximum: 28 VDC
 Maximum Ripple Voltage: 30% of nom. Voltage (peak to peak)
 Standby Current: 200 µA maximum
 Alarm Current: 50 mA max.
 Relay Contacts load: 2.0A@30 VAC/DC

Figure 3. Wiring diagram for the detector:



Ordering Information

Part Number	Pack Quantity	Dimensions (w x d x h millimetres)	Weight
CV-SD142	Individual (1 units)	110x110x62	170g
CV-SD142	Master Pack (60 units)	585x350x255	11Kg

Distributed by: