

[CAM], so the keyboard will choose number 1 camera; the image display on number 1 camera will be "001". The other address codes are set according to the "address code setting tables" in this manual.

### 2. Communication Protocol and Baud Rate Settings of Dome Camera

The 3rd and 4th of SW2 on PCB board of this camera is communication protocol selection, and 5th and 6th is Baud Rate selection. The settings are as follows:

Dial position	protocol	Dial position	protocol
	Standard protocol		1200BPS
	PELCO-D		2400BPS
	PELCO-P		4800BPS
	customer		9600BPS

### 3. Cable connection

Connecting equipments correspondently to the cables come from the dome.  
(Please refer to table 1.)

CABLE COLOR	GROUP 1						GROUP 2				GROUP 3	
	PAN/TILT						LENS				CAMERA POWER	
OUT CABLES	RED	BLACK	GREEN	BROWN	YELLOW	WHITE	GRAY	BLUE	WHITE	GREEN	RED	BLUE
	COM	AUTO	UP	DOWN	LEFT	RIGHT	LEN Z	LEN I	LEN F	LEN C	+	-

Note: When heater is optional, using another group out cable "red-blue".

Please note that the dome is just for AC24V operation. The model with heater & blower are also for AC24V.

### 4. Camera & lens installation.

Fasten the camera & lens combination in console with screw attached as arrow directory. Pay attention to the space of lens with cover. Correspondently connect power cables or video signal cable and other controlling cable to the camera.

### 5. Limitations adjust of pan/tilt.

- The pan/tilt could be adjusted manually. (Factory value: pan:0° -355° , tilt: 10° -90° .)

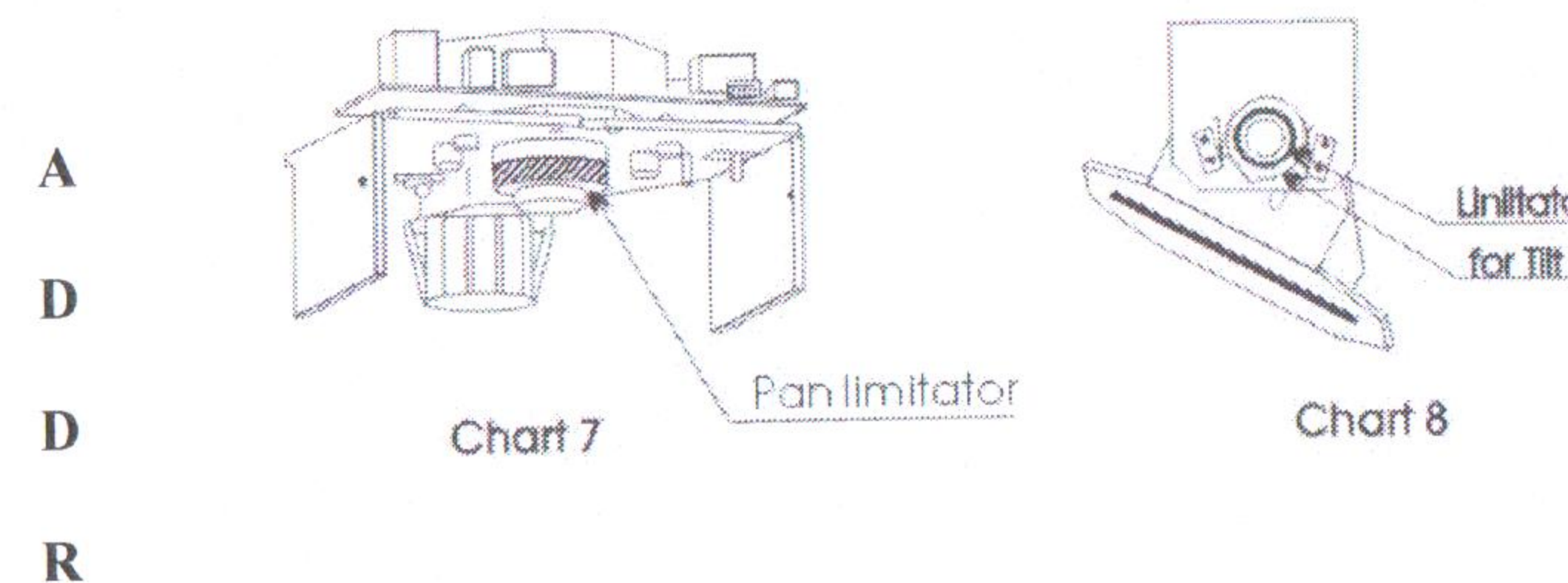
### 2. Two methods for adjustment.

- Pan adjustment. (Please refer to chart 7.)

Release the fasten screw of pan limit, adjust it and then lock it after finished.

- Tilt adjustment. (Please refer to chart 8.)

Release the fasten screw of tilt limit, adjust it and then lock it after finish



### ESS CODE

8 BIT ARRESS CODE	CAMERA NUMBER (ADD.)	8 BIT ARRESS CODE	CAMERA NUMBER (ADD.)	8 BIT ARRESS CODE	CAMERA NUMBER (ADD.)	8 BIT ARRESS CODE	CAMERA NUMBER (ADD.)
00000000	1	00100000	33	...	...	11011111	224
00000001	2	00100001	34	...	...	11100000	225
00000010	3	00100010	35	...	...	11100001	226
00000011	4	00100011	36	...	...	11100010	227
00000100	5	00100100	37	...	...	11100011	228
00000101	6	00100101	38	...	...	11100100	229
00000110	7	00100110	39	...	...	11100101	230
00000111	8	00100111	40	...	...	11100110	231
00001000	9	00101000	41	11000111	200	11100111	232
00001001	10	00101001	42	11001000	201	11101000	233
00001010	11	00101010	43	11001001	202	11101001	234
00001011	12	00101011	44	11001010	203	11101010	235
00001100	13	00101100	45	11001011	204	11101011	236
00001101	14	00101101	46	11001100	205	11101100	237
00001110	15	00101110	47	11001101	206	11101101	238
00001111	16	00101111	48	11001110	207	11101110	239
00010000	17	00110000	49	11001111	208	11101111	240
00010001	18	00110001	50	11010000	209	11110000	241

00010010	19	00110010	51	11010001	210	11110001	242
00010011	20	00110011	52	11010010	211	11110010	243
00010100	21	00110100	53	11010011	212	11110011	244
00010101	22	00110101	54	11010100	213	11110100	245
00010110	23	00110110	55	11010101	214	11110101	246
00010111	24	00110111	56	11010110	215	11110110	247
00011000	25	00111000	57	11010111	216	11110111	248
00011001	26	...	...	11011000	217	11111000	249
00011010	27	...	...	11011001	218	11111001	250
00011011	28	...	...	11011010	219	11111010	251
00011100	29	...	...	11011011	220	11111011	252
00011101	30	...	...	11011100	221	11111100	253
00011110	31	...	...	11011101	222	11111101	254
00011111	32	...	...	11011110	223	11111110	255

### III PRODUCT SPECIFICATION

Input voltage	DC12V <del>AC</del> 50/60 HZ
Input power	Pan/tilt: 10w Heater/blower: 25W
Operation temperature	-25°C—50°C With heater & blower, -35°C--50°C
Rotation angle	Pan: 0° --355°      Tilt: 0° --90°
Rotation speed	Pan: 0-24° /S      Tilt: 0-15° /S
Auto temperature control range	Heater :ON 5±5°C OFF 20±5°C Blower :ON 5±5°C OFF 20±5°C
Material	Pan/tilt: Steel Upper housing: ABS plastic Dome: Acrylic optic material
Optional Accessory	Blower, Heater

### IV Address settings of dome camera

This dome camera needs setting up the address code before using. The address code is set by the 8 bit dialing switches (SW1) on PCB board, 8421 binary code is adopted. Dialing range is 00000000-11111111, among which, dialing address 11111111 is broadcasting code, ON switch is signaled by 1, OFF is signaled by 0. The dome address code settings and corresponding keyboard screen manner settings are as follows:

dial position	address	OSD display	keyboard select
	00H	001	CAM-001
	01H	002	CAM-002
	02H	003	CAM-003
.....			
	0FEH	255	CAM-255

As shown in the above figure: all the dialing switches of number 1 camera is set to OFF。 Input number [1] into controlling keyboard, then press key