

KSR 7 SERIES

KSR-708

World's Best Company in Digital Video Recording
Kodicom provides high quality display pictures with outstanding recording speed.



Main Functions

REAL TIME MONITORING
Simultaneous live images

COMPACT PICTURE STORAGE
Images are compressed to an average file size between 2~10Kb per picture using MPEG4 Algorithm

EASY PICTURE RETRIEVAL
Instant picture retrieval by date/time and camera number

EVENT CONTROLLED RECORDING
Reduces the amount of data and automatically records specific events

REMOTE CONTROL
Remote Control of PTZ cameras & other electronic devices

PICTURE TRANSMISSION OVER NETWORK
High quality picture transmission over PSTN, ISDN & LAN network

MULTI SCREEN MONITORING
1, 4, 9 Split Screen available

Digital Video Recorder(Non-PC based)

KSR-708 Hot

Front/ Rear View

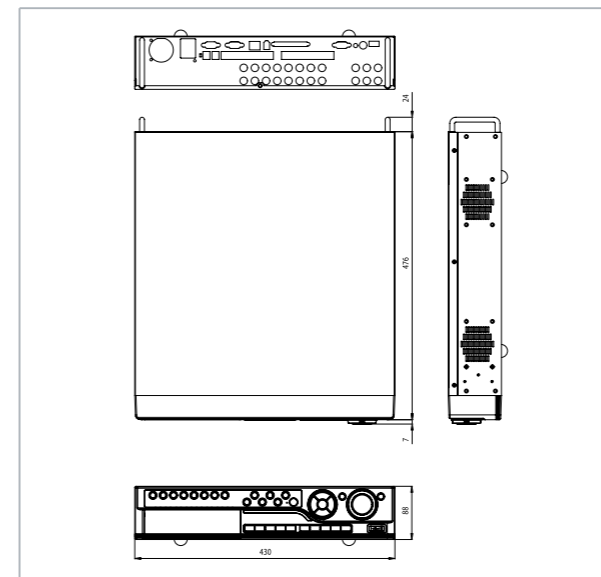
Front



Rear



Outward Appearance



Functions by Screen



Application

Some recommended installation areas are Securities Companies, Change Booths, Casinos, Pawnshops, Jewelers, Galleries, Exhibition Halls, Department Stores, Convenience Stores, Discount Offices, Hospital, Police Stations, Subway Stations, Airports, Banks etc.

Features

- High Quality Realtime Display – Max. 240fps(NTSC) 200fps(PAL)
- High Quality and High Speed Recording – Max. 240fps(NTSC) 200(PAL)
- Various Resolutions on Display and Recording – 704×480, 704×240, 352×240(NTSC), 704×576, 704×288, 352×288(PAL)
- MPEG4
- 1, 4, 9 Division
- Watchdog Function
- Kodicom, Pelco, Dennard, Bosch, Samsung and many more PTZ protocol included
- Watermark Function
- Remote Observation Through Network
- Emergency Screen Auto Transfer to Center Software
- User friendly Graphic User Interface

Specifications

Model		KSR-708
Display	Speed	NTSC : 240fps PAL : 200fps
	Screen Division	1, 4, 9 Division
Recording	Max. Speed (@C.I.F)	NTSC : 240fps PAL : 200fps
	Resolution	NTSC : 704×480, 704×240, 352×240 PAL : 704×576, 704×288, 352×288
	Recording Option	Continuous, Motion, Sensor, Pre-Alarm
Video	Format	NTSC/PAL
	CODEC	MPEG4
	Input	8ch
Audio	Output	VGA, CVBS, S-Video, Programmable spot out (1ch quad, 4ch full)
	CODEC	ADPCM
Alarm	Input	8 Ports
	Output	4 Ports
Network	Transmission	Ethernet (RJ45), PSTN (optional)
	Protocol	TCP/IP (support dynamic IP)
Backup	Device	USB, CD-RW, IEEE1394, Network, DVD-RW (optional)
Other Function	Remote Control	Remote Software (CMS)
	Remote Alarm	E-mail, CMS report
	PTZ	RS232C/485
	W/D Function	Yes
	Image Authentication	Watermark
	Language	10 Languages
	Password	Multi-Level User Password Authorization
	USB	2 Ports (USB2.0)
Working Temperature		0°C ~ +50°C
Power Source		AC 100 ~ 240V, 50/60Hz
Dimensions		430mm(W) × 88mm(H) × 483mm(D)
Weight (net)		10.5Kg (23.1lbs)

※ Specifications subject to change without notice.

RECORDERS

CAMERAS

ACCESSORIES