

# IRB80DNW-AD

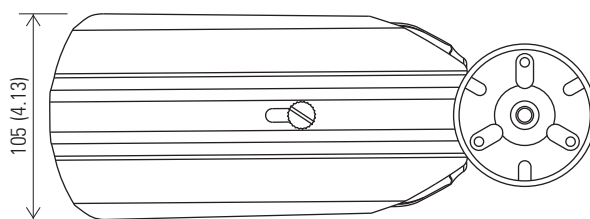
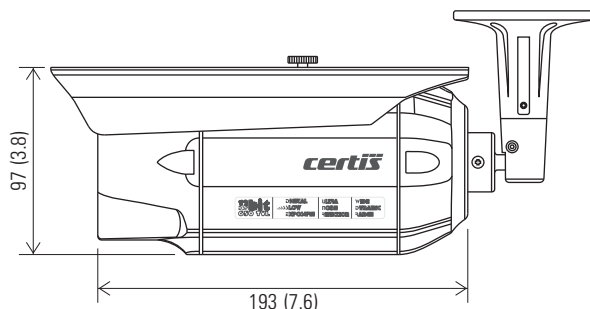
## Vari-focal Outdoor Day/Night Surveillance Camera

### Features

- SONY 1/3" Super HAD CCD II™
- 650 TVL Resolution with 12-bit DSP
- 3.0~12 mm (F1.2) Vari-focal Auto-Iris Japanese Lens
- 0 Lux at Night with IR LED
- Ultra Clear Image Performance
- Noise Free Image at Low Light
- No Focus Shift at Day or Night with Mechanical ICR
- No Color Smear at Day Light with Certis Customized OLPF
- True Color at Day and B/W Picture at Night with TGSE (True Gray Scale Enhancement) Certis Proprietary Hardware and Software Technology
- High Performance 60 IR LEDES for (0 Lux) up to 160 Ft. Night Vision
- Certis Customized Accu-Sense Photo IC Sensor and Proprietary Circuit with MICON for Perfect Day/Night Switching
- Optimized IR-LED for Evenly Distributed Night Vision
- Certis Proprietary Software Day/Night Technology Color by Day and 0 LUX B/W (Color Kill) at Night
- Professional Setup with Built-in OSD Menu
- Selectable WDR, BLC and ECLPS 16 Windows
- Four Types of White Balance (ATW, COL-ROLL, PUSH and MANUAL)
- Selectable Day (Color) / Night (B/W)
- Selectable Video Motion Detection (Max. 8 Areas)
- Ultra Noise Rejection (For Saving HDD Space During Motion Recording)
- Digital Slow Exposure 29 Types, A.FLK and Auto
- Selectable Privacy Mask Zones (Max. 8 Areas)
- Selectable Image Setup (D-ZOOM with PAN and TILT Scan, V-FLIP, MIRROR, ROTATE Scan and FREEZE)
- Digital Image Stabilizer Function For Vibration Area Installations Like Airport
- Camera Name Setting (15 Characters) and Camera Number ID
- Five Types of Languages Setting (English, Korean, Russian, French and Spanish)
- At Indoor High Light Conditions like Jewelry Shops, Shopping Malls, Designer's Shops, etc., Easy to Adjust with OSD Setup
- At Different Light Conditions like Fluorescent Light, Mercury Light, Metal Halide Light or Natural Light, Easy to Achieve True Color Through Adjusting White Balance with OSD. No Need Expensive Camera
- Power Supply: DC 12 V  $\pm$  1 V
- Lowest Power Consumption (150 mA / 12 V DC at Day Time, 450 mA / 12 V DC at Night Time with IR LED On)
- Lowest Heat on Board for Long Life of Camera
- 3 Axis Wall Mount and IP 66 Housing with Cable Management

### Optional Features

- IR Remote Control for OSD Setup
- RS-485 Selectable Communication
- Motion Detection NO/NC Output
- Dual 12V DC/24V AC Input
- UTP (CAT-5) Active Video Output



Unit: mm (inches)  
The above mentioned technical drawings are for reference only.

## Comparison of Wide Dynamic Range Image



Wide Dynamic Range Image



Conventional CCD Camera  
with BLC ON



Conventional CCD Camera  
with BLC OFF

## SMART IR Technology (TGSE) True Gray Scale Enhancement



TGSE ON Level 18



TGSE ON Level 50



TGSE OFF

## Hi-illumination Mask for Car Plate Recognition



HI-MASK ON IR ON



HI-MASK OFF IR ON



HI-MASK ON IR OFF

## Technical Specifications

### MODEL IRB80DNW-AD (NTSC/PAL)

Image Sensor	SONY 1/3" Super HAD CCD II™	Privacy Mask	ON / OFF (8 Programmable Zones)
Lens Type	3.0~12 mm (F1.2) Vari-focal auto-iris Japanese lens	Image Setup	OFF / V-FLIP / MIRROR / ROTATE / FREEZE
Scanning System	2:1 Interlace	Language	English, Korean, Russian, French and Spanish
Scanning Frequency (H)	15734 Hz / 15625 Hz	Lens Iris	DC Lens Iris
Scanning Frequency (V)	59.94Hz / 50.00Hz	Reset	Factory Reset
Sync. System	Internal	Pro. Functions Access	Five-way Switch OSD Control
Signal System	525 Lines / 625 Lines	Infra Red LED	Peak wavelength 850 nm
Total Effective Pixels	440K / 470K	60 pcs	Beam spread 30°
S/N Ratio	More than 52 dB (AGC OFF)		Radiant distance 160 Feet
Resolution	650 TVL (Color) / 700 TVL (B/W)	Power Supply	DC 12 V ± 1 V
Video Output Level	1.0 Vp-p (75 Ohms, composite)	Current Consumption	150 mA / 12 V DC at Day Time, 450 mA / 12 V DC at Night Time with IR LED On
Min. Illumination	0.0001 Lux (Sens-Up, 512X) / 0 Lux @ Night with IR LED On	I / O Connector	Video Output: Molded BNC Connector and 12V DC Input: DC Socket
Shutter Fixed	1/160 ~ 1/90,000 Sec. / A.FLK / AUTO	IP Rating	IP 66
WDR / BLC / ECLPS	OFF / WDR / BLC / ECLPS	Operating Temp	-10 °C ~ +50 °C (14 °F ~ 122 °F)
AGC	Off / Low / Middle / High	Dimensions	193.0 mm (L) X 105.0 mm (W) X 97.0 mm (H)
White Balance	ATW / COL-ROLL / PUSH / MANUAL	Weight	Approx. 1150 g
Day / Night	TGSE		
3D-DNR	ON / OFF (Level Adjustable)		
MOTION DET	ON / OFF (8 Programmable Zones)		

\*"Super HAD CCD II" is a trademark of Sony Corporation.

(CertiS may, at any time and without notice, make changes or improvements to the products and services offered and/or cease producing or commercialising them.)  
The CertiS trademark is a property of CertiS Technology International Pte Ltd.

Authorised Dealer / Representative.

**certiS**  
Securing Your World