

## EXPLOSION-PROOF CYLINDRICAL STAINLESS STEEL 12" & 18" CCTV CAMERA HOUSING

- Electro polished Stainless Steel with optional special corrosion proof paint for maximum corrosion protection
- Special steel glass for extra clarity and durability
- Certified to EEx d IIC T6 (ATEX Directive 94/9/EC)
- Fixed Mount – Bracket or Base installation
- Available in 12 inch and 18 inch versions
- Suitable for fixed or zoom lens cameras and integrated cameras
- Weather Resistant to IP68 (1.2 Mtrs) & NEMA 6 & 6P Standards
- Designed for use in extremely harsh environments and hazardous area locations
- Optional Sunshield and Auto-heater



AXENCL-9A & 9B

**RUGGED** ⚙️ **DURABLE** ⚙️ **HIGH PERFORMANCE**

The AXENCL 9 Series camera enclosure has been designed and developed specifically for use in designated Hazardous Areas locations for Offshore, Marine and Industrial applications. Certified by Sira, the leading ATEX certification body in U.K, to meet the most stringent explosion proof requirements and ensure consistently high performance and durability under harsh and extreme conditions. Its stringent ATEX certification allows safe functioning at locations where ignitable concentrations of flammable gases or liquid vapors are present during normal operation. Groups covered include acetylene, hydrogen, ethylene and methane, all highly explosive gases.

The AXENCL 9 Series camera enclosure can be fitted with a wide range of high-resolution fixed cameras, zoom lens cameras, integrated cameras and IP modules, making it the perfect choice for almost any application. The window of the enclosure is made of special 10mm thick steel glass for extra durability and image quality.

Thermostat controlled auto-heater and sunshield are available as options.

The Electro Polished Stainless Steel Construction makes the AXENCL 9 Series camera enclosure ideal for safe & reliable performance at locations such as marine vessels, offshore platforms & drill rigs, oil and gas sites, chemical processing plants, petrochemical refineries and many other industrial locations and applications. For added durability and protection against the elements, the AXENCL 9 Series camera enclosure is also available with a special corrosion-proof paint in various colors. With its IP68 (1.2 mtrs) and NEMA 6 & 6P rating, the AXENCL 9 Series is completely protected for the most extreme and harshest environments.


For potentially high-risk environments where the dangers to lives and property are ever present, the AXENCL 9 Series camera enclosure is the ideal choice to ensure maximum safety and minimal operational risk.



## TECHNICAL SPECIFICATIONS

### CERTIFICATION

Sira 08ATEX1159

 II 2 G EEx d IIC T6 (ATEX Directive 94/9/EC)

CE 0518

### INGRESS PROTECTION

IP 68 / 1.2 METER

NEMA Type 6 & 6P

### ELECTRICAL

Input Voltage 24 / 110 / 240 VAC or 12VDC, 50/60 Hz

Input Voltage Range  $\pm 10\%$

Power Consumption <20W (with heater)

### MECHANICAL

Dimensions (Outer) AXENCL-9A 520 (L) x 180 (H) x 170 (W) mm

AXENCL-9B 360 (L) x 160 (H) x 150 (W) mm

Dimensions (Inner) AXENCL-9A 260 (L) x 90 (H) x 70 (W) mm

AXENCL-9B 190 (L) x 70 (H) x 50 (W) mm

Window Special Steel Glass with 10mm thickness

Window Area AXENCL-9A ( $\varnothing$  66mm) / AXENCL-9B ( $\varnothing$  60mm)

Cable Outlet AXENCL-9A (3 nos) / AXENCL-9B (2 nos)

Entry Size 3/4"

Mounting Fixed Bracket or Base installation

### GENERAL

Construction 304 or 316L Stainless Steel

Finish Electro Polish or optional Special Corrosion-proof paint in different colors

Unit Weight AXENCL-9A 12 KG

AXENCL-9B 8 KG

Shipping Weight AXENCL-9A 14 KG

AXENCL-9B 10 KG

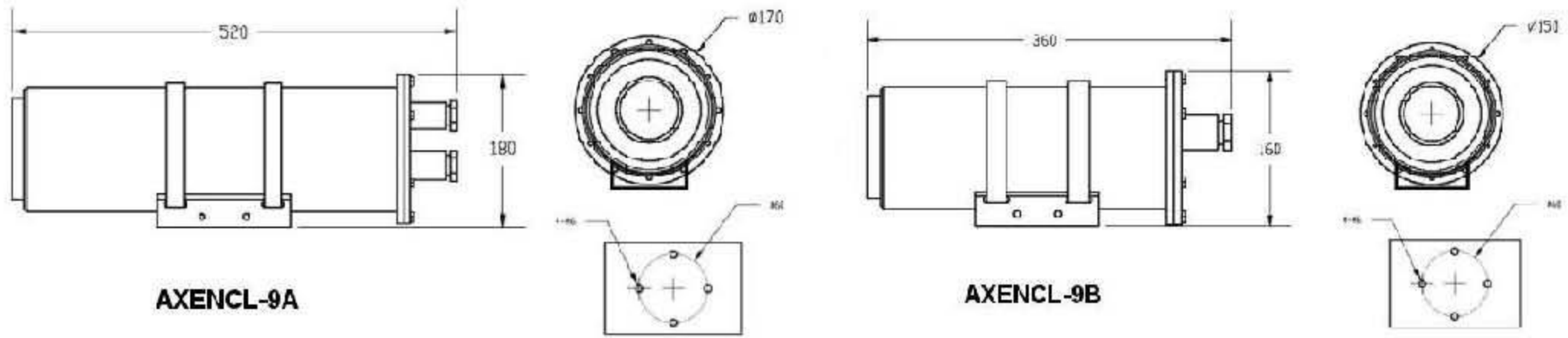
### ENVIRONMENT

Air Pressure 86~106KPa

Temperature -25°C to +60°C

Humidity  $\leq 95\%$  RH (+25°C)





**ACCESSORIES**

Wall Mount Bracket	WB9
Auto-Heater (Activates at -10°C)	AH
Sunshield	SS9

**WARRANTY**

Standard 18 months warranty. For extended warranty, please contact us.

**ORDERING INFORMATION**

AXENCL9A - 316 - 110 - AH - WB9 - SS9

MODEL	CODE
18 inch housing	AXENCL9A
12 inch housing	AXENCL9B

MATERIAL	CODE
304 Stainless Steel	304
316L Stainless Steel	316

VOLTAGE	CODE
24 VAC	24
110 VAC	110
240 VAC	240
12 VDC	12

SUNSHIELD	CODE
None	N
Sunshield	SS9

MOUNTING BRACKET	CODE
None	N
Wall Bracket	WB9

HEATER	CODE
None	N
Auto Heater	AH

Notes:

1. The AXENCL9A & AXENCL9B Camera housings can be supplied with various camera and lens types/options. Please contact us to discuss your requirements.
2. Voltage depending on camera used.

