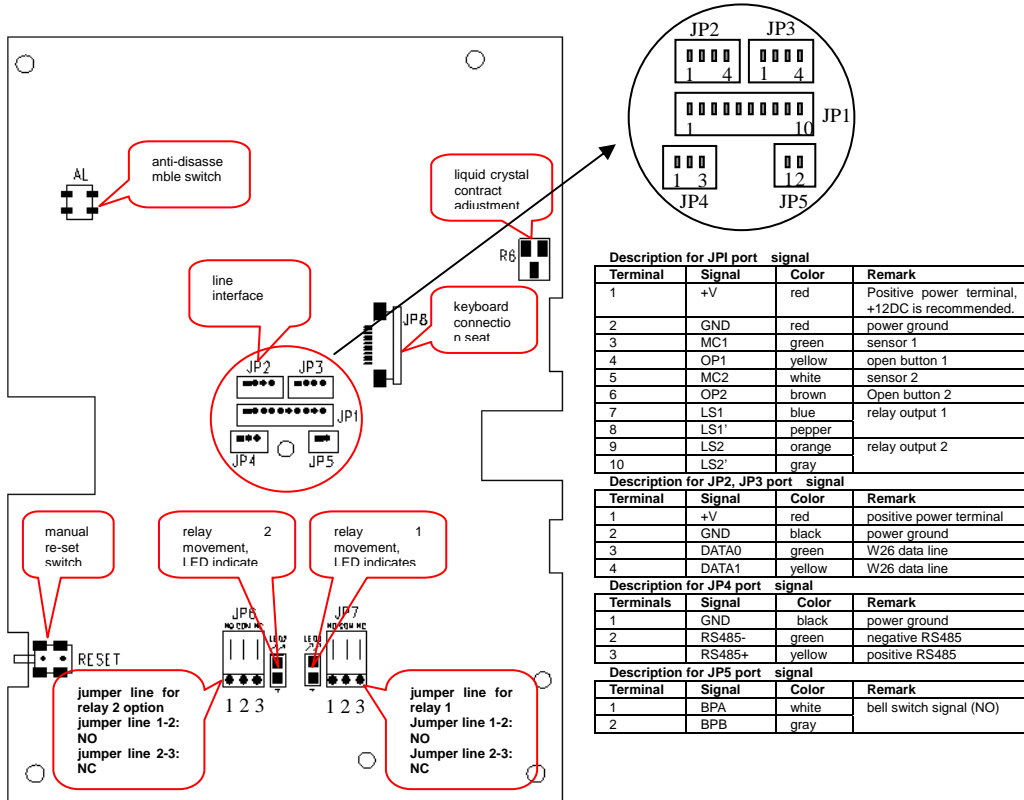


DA28A connection description



JP5 is bell interface: BPA and BPB is in open circuit. When pressing the round bell in the low left corner of DA28A panel, the BPA and BPB is circulating. Then BPA and BPB can connect with radio or wireless bell. JP4 is RS485 communication interface: the computer can control many DA28A (255 sets at most) by RS485 converter. Therefore, It is necessary to set a unique machine number for the CA210 in the network. JP2, JP3 are the W26 interfaces: the port is a multi-functional port and can be W26 input or W26 output. When set as input, it can connect with standard W26 card reader (support read head with keyboard). When set as output, it can be used by the standard W26 card reader for other purposes. The specific menu setting: IO port -> W26 port1(2)-> W26 out

System connection picture

Note: The power terminals (+V) of JP2 and JP3 are the same as that of JP1. When the terminal supplies power to the exterior chuck, the +V voltage should not be over the rated working voltage of the exterior chuck. In this case, it is necessary to supply power separately and then connect the ground lines of the two powers.

JP1 is the main interface: including power, open button, sensor and relay output. Among them, sensor and relay output is all-purpose interface. The sensor can set as fire ALMlink, in another word, the port receives the fire ALMsignal, DA28A controller will open all doors of its controller doors. The relay can be set as lock control output, alarm output and alarm output. The NCand close of relay are optional of Jumper cable JP6 and JP7. See the picture above.

Name and work number of card holder; issue of short message and change of title should network with computer to manage it by CA210 applied software.

Hardware update

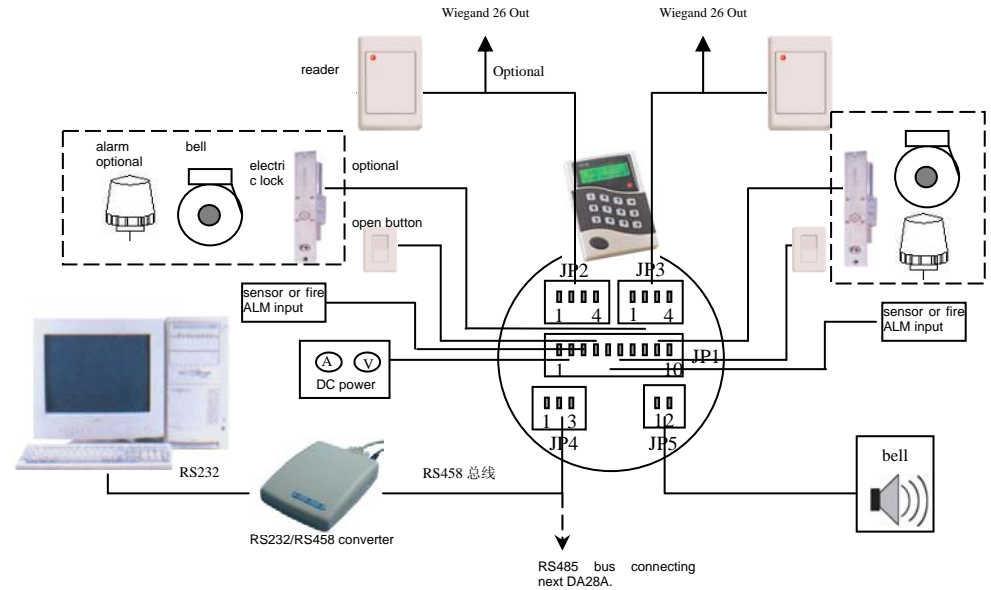
DA28A support hardware update on-line.

1. DA28A communication port connects with computer through RS232/RS485 converter.

2. When DA28A is in the update standby state, the menu operation is shown as follow: system -> software update

3. Install "JS Updata tool for hardware" in the computer. Operate JS Updata.exe, communication port should choose correct interface, the baud rate is 19200, the update file should be the xxxxx.upd update file provided by the manufacturer. When the update starts, progress bar indicates the course of update. Please do not interrupt the course. After the update, terminal computer will reboot.

System connection figure



Example for connection picture

