

Technology - Surveillance Systems

CCD580DN-AD

C/CS Mount Surveillance Camera

Features

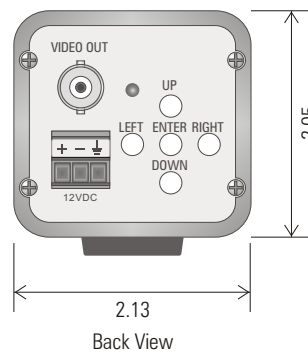
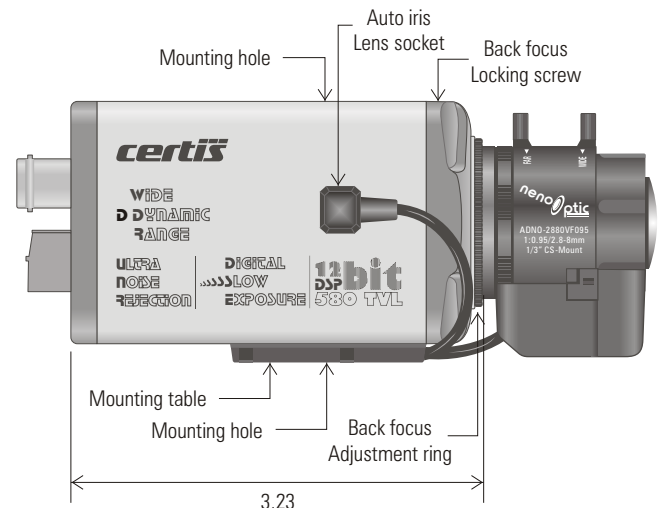
- Sony 1/3" Super HAD CCD II™
- 580 TVL resolution with 12-bit process with DSP
- C/CS mount with DC auto-iris
- Professional setup with built-in OSD menu
- Easy to use OSD setup for indoor high light conditions including jewelry shops, shopping malls and designer stores
- Easy to achieve true color with user friendly OSD and adjustable white balance for different light conditions including fluorescent, mercury, metal halide, light or natural lighting conditions
- Selectable D-WDR for outdoor and indoor applications
- Selectable BLC and HSBL 64 Windows
- Six types of white balance (ATW, AWB, AWC-Set, Manual, Outdoor and Indoor)
- Super sensitive low lux image capture, from 0.00001Lux
- Selectable Day (Color) / Night (B/W)
- Selectable Video Motion Detection (4 Areas)
- Ultra Noise Reduction (HDD space-saving feature for motion recording)
- 32X Digital zoom
- Digital slow exposure (15 selections with FLK)
- Selectable Privacy Mask Zones (Max. 8 areas)
- Selectable image setup (Pan and tilt, scan, V-flip, mirror, rotate scan, freeze and negative image)
- Camera title setting (15 Characters)
- Four language settings (English, Simple Chinese, Traditional Chinese and Japanese)
- Wide input voltage range (DC 9.0V to DC 12V)
- Lowest power consumption (130 mA / DC 12V)
- Lowest heat on board for durability
- Compact and light weight

Optional Features

- IR-remote control for OSD setup
- RS-485 selectable communication
- Service monitor video output
- Day/Night external IR-illuminator trigger output
- Motion detection NO/NC Output
- Dual 12VDC/24VAC Input
- UTP(CAT-5) Active Video Output



Lens not included



All dimensions are in mm. Technical drawings are for reference only.

Digital Slow Exposure



CCD580DN-AD with digital slow exposure and sens up settings for optimal images



Camera with sens up settings only



Conventional Camera

Motion Detection

An alarm signal will be sent when any motion is detected within the area under surveillance. The camera can also be connected to an external alarm if required. Operator's fatigue and security lapses will be reduced especially when there are numerous screens to be monitored. The surveillance zone and sensitivity control can also be assigned in the OSD setting.

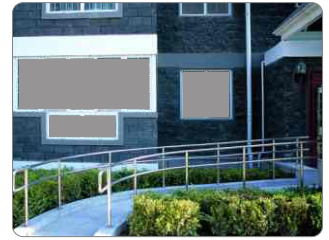


Motion Detected



Privacy Function

Privacy masking allows users to block areas not under surveillance. Users can determine the locations and areas to be masked.



Day / Night



Colour image from CCD580DN-AD during the day



Monochrome image from CCD580DN-AD during the night

Ultra Noise Rejection



Conventional Camera



CCD580DN-AD with Ultra Noise Rejection feature

Technical Specifications

MODEL

CCD580DN-AD (NTSC/PAL)

Image Sensor	Sony 1/3" Super HAD CCD II™
Lens Type	Standard C/CS Mount Type
Scanning System	2:1 Interlace
Scanning Frequency (H)	15734 Hz / 15625 Hz
Scanning Frequency (V)	59.94Hz / 50.00Hz
Sync. System	Internal
Signal System	525 Lines / 625 Lines
Total Effective Pixels	440K / 470K
S/N Ratio	More than 52 dB (AGC OFF)
Gamma	0.45 Default, various selectable with OSD
Resolution	580 TVL
Video Output Level	1.0 Vp-p (75 Ohms, composite)
Min. Illumination	0.1 Lux @ F1.2 (Normal colour mode), 0.00001 Lux @ F1.2 (Sens up, 256X)
Shutter Fixed	1/60 ~ 1/120,000 Sec. / FLK 1/50 ~ 1/100,000 Sec. / FLK
BLC	Off / BLC / HSBLC
D-WDR	Outdoor / Indoor

AGC	Off / Low / Middle / High
White Balance	ATW / AWB / AWC-SET / Manual / Outdoor / Indoor
Day / Night	Color / Auto / Ext / B/W
3DNR	Off / Low / Middle / High
Motion	On / Off
Privacy Zone	8 Zones
Image Setup	V-flip, Mirror, Rotate, Freeze and Negative Image
Language	English, Simple Chinese, Traditional Chinese and Japanese
Lens Iris	DC lens iris
Reset	Factory reset
Pro. Functions Access	Five Buttons OSD Control
Power Supply	DC 9.0 V -12 V (DC 12 ± 0.5 V Recommended)
Current Consumption	130 mA / 12 VDC
I / O Connector	Video output : BNC connector and 12 VDC input : DC terminal
Operating Temp	-10 °C ~ +50 °C (14 °F ~ 122 °F)
Dimensions	82 (L) X 54 (W) X 52 (H) mm
Weight	Approx. 220 g

* "Super HAD CCD II" is a trademark of Sony Corporation.

(Certs may, at any time and without notice, make changes or improvements to the products and services offered and/or cease producing or commercialising them.)
The Certis trademark is a property of Certis Technology International Pte Ltd.

Authorised Dealer / Representative.

certis
Securing Your World