

# Technology - Surveillance Systems

## VFD5803DN-AD

### Vari-focal Dome Camera

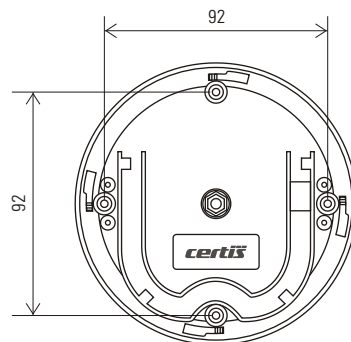
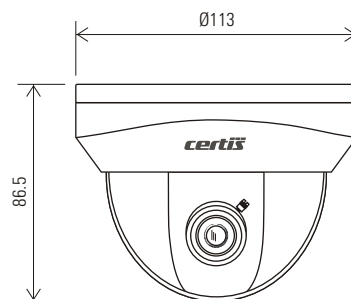


#### Features

- Sony 1/3" Super HAD CCD II™
- 580 TVL resolution with 12-bit process with DSP
- 3.0~12 mm (F1.2) Vari-focal auto-iris Japanese lens
- Professional setup with built-in OSD menu
- Easy to use OSD setup for indoor high light conditions including jewelry shops, shopping malls and designer stores
- Easy to achieve true color with user friendly OSD and adjustable white balance for different light conditions including fluorescent, mercury, metal halide, light or natural lighting conditions
- Selectable D-WDR for outdoor and indoor applications
- Selectable BLC and HSBLC 64 Windows
- Six types of white balance (ATW, AWB, AWC-Set, Manual, Outdoor and Indoor)
- Super sensitive low lux image capture, from 0.00001Lux
- Selectable Day (Color) / Night (B/W)
- Selectable Video Motion Detection (4 Areas)
- Ultra Noise Reduction (HDD space-saving feature for motion recording)
- 32X Digital zoom
- Digital slow exposure (15 selections with FLK)
- Selectable Privacy Mask Zones (Max. 8 areas)
- Selectable image setup (Pan and tilt, scan, V-flip, mirror, rotate scan, freeze and negative image)
- Camera title setting (15 Characters)
- Four language settings (English, Simple Chinese, Traditional Chinese and Japanese)
- Wide input voltage range (DC 9.0V to DC 12V)
- Lowest power consumption (130 mA / DC 12V)
- Lowest heat on board for durability
- Optically corrected top dome cover
- Compact and light weight

#### Optional Features

- IR-remote control for OSD setup
- RS-485 selectable communication
- Service monitor video output
- Day/Night external IR-illuminator trigger output
- Motion detection NO/NC Output
- Dual 12VDC/24VAC Input
- UTP (CAT-5) Active Video Output



All dimensions are in mm.  
The technical drawings are for reference only.

#### Digital Slow Exposure



VFD5803DN-AD with digital slow exposure and sens up settings for optimal images



Camera with sens up settings only



Conventional Camera

## Motion Detection

An alarm signal will be sent when any motion is detected within the area under surveillance. The camera can also be connected to an external alarm if required. Operator's fatigue and security lapses will be reduced especially when there are numerous screens to be monitored. The surveillance zone and sensitivity control can also be assigned in the OSD setting.

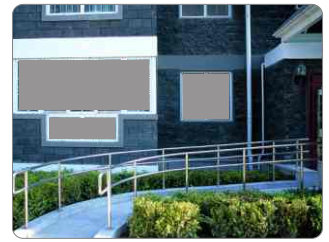


Motion Detected



## Privacy Function

Privacy masking allows users to block areas not under surveillance. Users can determine the locations and areas to be masked.



## Day / Night



Colour image from VFD5803DN-AD during the day



Monochrome image from VFD5803DN-AD during the night

## Ultra Noise Rejection



Conventional Camera



VFD5803DN-AD with Ultra Noise Rejection feature

## Technical Specifications

### MODEL VFD5803DN-AD (NTSC/PAL)

Image Sensor	Sony 1/3" Super HAD CCD II <sup>™</sup>	AGC	Off / Low / Middle / High
Lens Type	3.0~12 mm (F1.2) Vari-focal auto-iris Japanese lens	White Balance	ATW / AWB / AWC-SET / Manual / Outdoor / Indoor
Scanning System	2:1 Interlace	Day / Night	Color / Auto / Ext / B/W
Scanning Frequency (H)	15734 Hz / 15625 Hz	3DNR	On / Off
Scanning Frequency (V)	59.94Hz / 50.00Hz	MOTION DET.	On / Off
Sync. System	Internal	Privacy Zone	8 Zones
Signal System	525 Lines / 625 Lines	Image Setup	V-flip, Mirror, Rotate, Freeze and Negative Image
Total Effective Pixels	440K / 470K	Language	English, Simple Chinese, Traditional Chinese and Japanese
S/N Ratio	More than 52 dB (AGC OFF)	Lens Iris	DC lens iris
Gamma	0.45 Default, various selectable with OSD	Reset	Factory reset
Resolution	580 TVL	Pro. Functions Access	Five-way switch OSD control
Video Output Level	1.0 Vp-p (75 Ohms, composite)	Power Supply	DC 9.0 V -12 V (DC 12 ± 0.5 V Recommended)
Min. Illumination	0.1 Lux @ F1.2 (Normal colour mode), 0.00001 Lux @ F1.2 (Sens up, 256X)	Current Consumption	130 mA / 12 VDC
Shutter Fixed	1/60 ~ 1/120,000 Sec. / FLK 1/50 ~ 1/100,000 Sec. / FLK	I / O Connector	Video output : Molded (pig tail) BNC connector and 12 VDC input : DC socket
BLC	Off / BLC / HSBLK	Operating Temp	-10 °C ~ +50 °C (14 °F ~ 122 °F)
D-WDR	Outdoor / Indoor	Dimension	113 (Base Diameter) X 86.5 (H) mm
		Weight	Approx. 213 g

\* "Super HAD CCD II" is a trademark of Sony Corporation.

(Certiis may, at any time and without notice, make changes or improvements to the products and services offered and/or cease producing or commercialising them.)  
The Certis trademark is a property of Certis Technology International Pte Ltd.

Authorised Dealer / Representative.

**certis**  
Securing Your World