

VPD16-AD

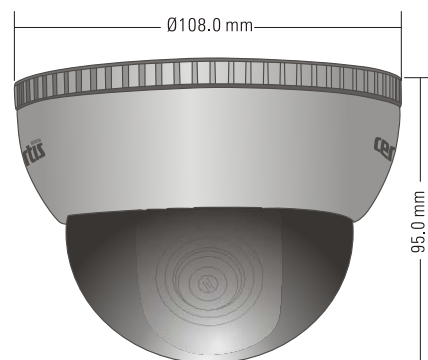
Vari-focal Dome Surveillance Camera



VPD16-AD VARI-FOCAL DOME CAMERA

Features

- Sony 1/3" Format Super HAD CCD Sensor
- 480 TVL Resolution
- 2.9 to 10 mm F(1.2) Vari-Focal Auto-Iris Japanese Lens
- 8 DIP Switches for Professional Installation Setup
- Wide In-put Voltage Range (DC7.5V to DC18V)
- Power Consumption(1/3"CCD-DC12V / 90 mA)
- Super Sensitive Low Lux Image Capture
- Ultra Clear Image Performance
- 6 Types White Balance Setup with (DIP1,2,3*)
- Shut.-Fixed (FI-Free)1/100 or 1/120 with (DIP4*)
- AGC High/Low Setup with (DIP5*)
- Back Light Compensation On/Off with (DIP6*)
- Electronic Auto Iris/Manual Iris with (DIP7*)
- Auto Exposure/8 Types Fixed with (DIP8*)
- Noise Free Image at Low Light
- Optically Corrected Top Dome Cover
- IP-65 Weather Proof Housing



Diagrams above are for reference only

Technical Specifications

MODEL	VPD16-AD (NTSC/PAL)
Image sensor	Sony Super HAD 1/3 inch CCD
Scanning system	2:1 Interlace
Scanning frequency(H)	15734 Hz / 15625 Hz
Scanning frequency(V)	59.94Hz / 50.00Hz
Sync. system	Internal
Signal system	525 lines / 625 lines
Total effective pixels	380K / 440K
Lens type	2.9 to 10.0 mm Vari-Focal Auto-Iris Japanese Lens
S/N ratio	More than 48 dB (AGC OFF)
Gamma	0.45
Resolution	480 Lines
Video output level	1.0 Vp-p (75 Ohms, composite)
Focus mode	Manual
Min. illumination	0.3 LUX.(F1.2)
White Balance	User Selectable with DIP Switches 1,2 & 3 Combinations. (ATW, PUSH, WB-Lock, Indoor, Outdoor, Fl. Light, Mfr. Default)
Shutter Fixed	User Selectable Shutter Fixed Mode to 1/120(PAL) & 1/100(NTSC) with DIP Switch 4
AGC	User Selectable AGC Mode High & Low with DIP Switch 5 On/Off
BLC	User Selectable Back Light Compensation Mode On & Off with DIP Switch 6 On/Off
Iris	User Selectable IRIS Mode Manual Iris & Auto Iris with DIP Switch 7 On/Off
Exposure (AE/ME)	User Selectable Exposure Mode Auto Exposure & Manual Exposure with DIP Switch 8 On/Off & Manual 8 Types Fixed Shutter Speed With DIP Switches 4,6 & 7 Combination .
Mirror	Optional on OEM request
Supplied voltage	DC 7.5 V -18 V (Recommendation DC 12 ± 0.5 V)
Current consumption	90 mA @ 12 V DC
I / O connector	Video output : BNC Connector and 12 V DC Input : DC Socket
Dimensions	108.0 mm (Base Diameter) X 95.0 mm (H)
Weight	Approx. 396.0 g

(Certiis may, at any time and without notice, make changes or improvements to the products and/or cease producing or commercializing them.) The Certiis logo and trademark are the property of Certiis Technology International Pte. Ltd.

Authorised Dealer / Representative.

certiis
Securing Your World