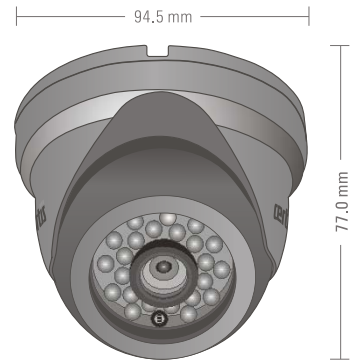


IRD67-AD

Infrared (IR) Surveillance Camera



IRD67-AD Series IR Camera



Diagrams above are for reference only

Features

- 1/3" SONY SUPER HAD CCD 480TVL
- 0 Lux at Night with IR LED
- 4.0 mm IR-Corrected Customized Lens
- Virtually No Focus Shift at Day or Night
- True Color at Day Light with Certis Customized OLPF
- Certis Customized Accu-Sense CDS Sensor and Proprietary Circuit for Perfect Day/Night Switching
- High Performance 23 IR LEDS for (0 Lux) up to 50 Ft. Night-Vision
- Optimized IR-LED for Evenly Distributed Night-Vision
- Certis Proprietary Software Day/Night Technology Color by Day and 0 LUX B/W by Night with IR
- Certis Customized front Glass for Maximized Infra-red Output While Minimizing Internal Reflection
- Optional Fixed High Illumination Mask & Mirror Selectable
- Lowest Power Consumption (70mA @ 12VDC at Day)
- Weather Resistance IP-66 Housing
- Lowest Heat on Board for Long Life of Camera
- Gold Processed EMC Shell
- Noise Free Image at Low Light

Technical Specifications

MODEL	IRD67-AD (NTSC/PAL)	
Image sensor	Sony Super HAD 1/3 inch CCD	
Scanning system	2:1 Interlace	
Scanning frequency(H)	15734 Hz / 15625 Hz	
Scanning frequency(V)	59.94Hz / 50.00Hz	
Sync. system	Internal	
Signal system	525 lines / 625 lines	
Total effective pixels	380K / 440K	
Lens Type	4.0 mm Customized IR-Corrected	
S/N Ratio	More than 48 dB (AGC OFF)	
Gamma	0.45	
Resolution	480 Lines	
Video output level	1.0 Vp-p (75 Ohms, composite)	
Focus Mode	Fixed	
Min. illumination	0.5 LUX.(F1.2) @ Day / 0 LUX @ Night with IR LED On.	
White Balance	Auto	
BLC	Auto	
AGC	36 dB Variable gain control	
Exposure (AE/ME)	1/60 (1/50) ~ 1/100,000 Sec. Auto	
IP Rating	Ip55	
Infra Red LED	Peak Wavelength	850 nM
	Beam Spread	30 Degree
	Radiant Distance	50 Feet
Operating Temp.	-10 ~ +50 (14 F ~ 122 F)	
Supplied Voltage	DC 7.5 V -12.5 V (Recommendation DC 12 + 0.5 V)	
Current consumption	70 mA @ 12 VDC Day, 250 mA @ 12 VDC Night with IR LED On.	
I / O connector	Molded : Video output : BNC Connector and 12 V DC Input : DC Socket	
Dimensions	94.5 mm (W) X 77.0 mm (H)	
Weight	Approx. 335 g	

(Certis may, at any time and without notice, make changes or improvements to the products and/or cease producing or commercializing them.) The Certis logo and trademark are the property of Certis Technology International Pte. Ltd.

Authorised Dealer / Representative.