

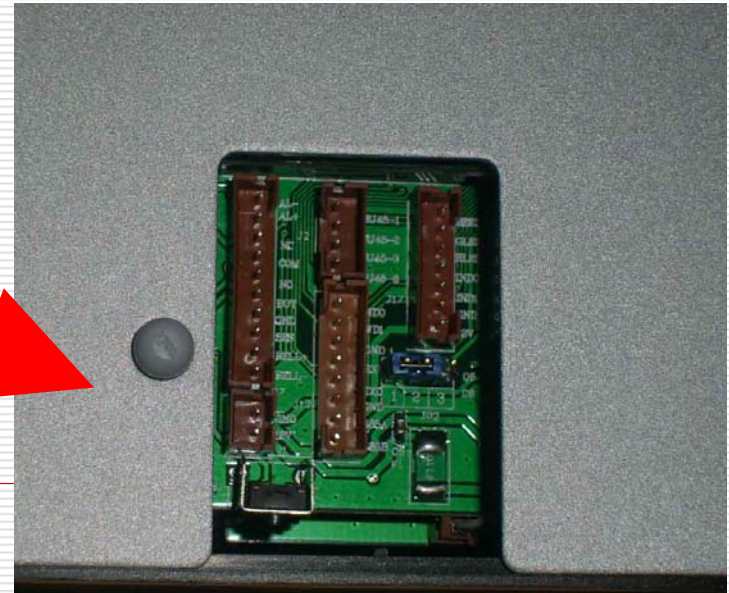
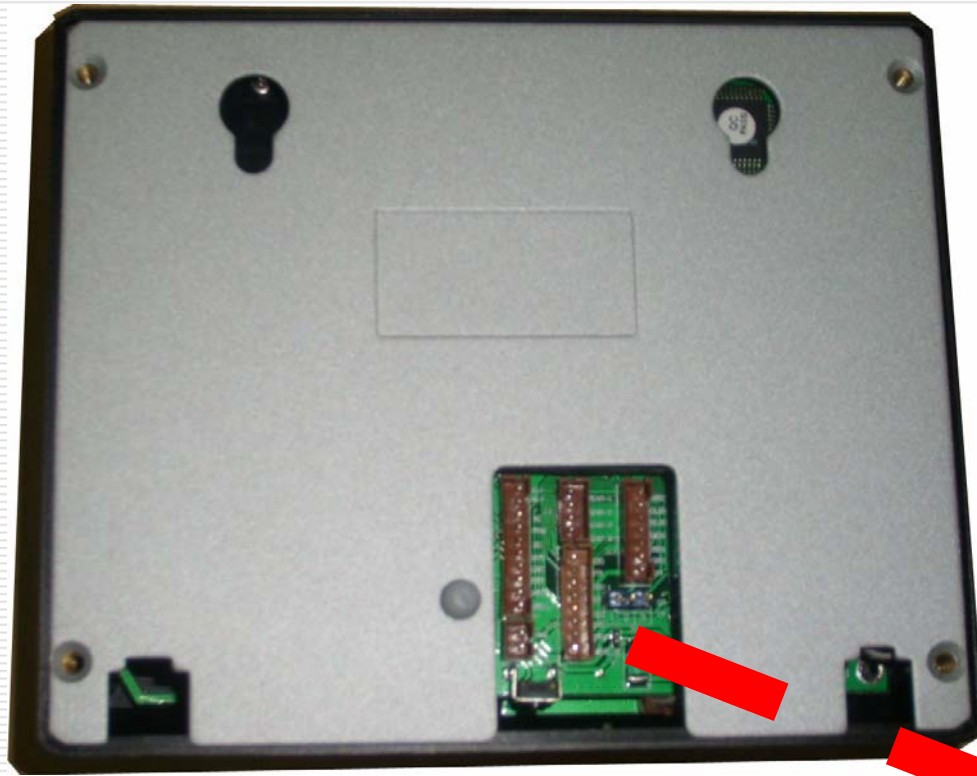
# F702-S Introduction

---



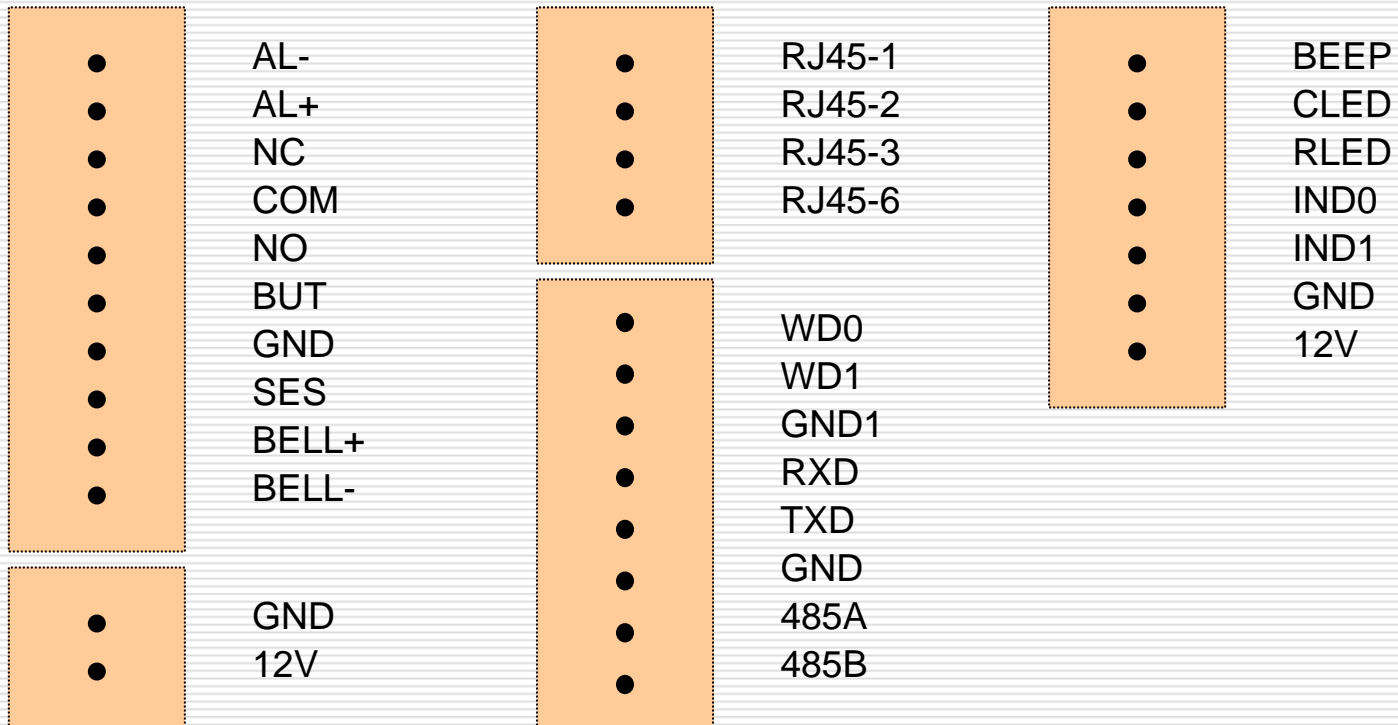
# F702-S Back Side

---



# F702-S Ports Interface

---



# F702-S Specification

---

**Hardware platform:** ZEM500; **Operating system:** Linux

**Power Supply:** 12V

**User capacity:** 1500; **Transaction capacity:** 50000

**Verification mode:** 1:1 or 1:N

**Sensor:** ZK Sensor; **Algorithm version:** 2007 Version ZK new algorithm

**Access Control:** 50 Time Zone, 5 Grouping, 10 Combination, Holiday Management ,support many fingerprints access, support standalone work

**USB Flash Disk:** 128M

**Communicational:** TCP/IP or RS232 and RS485

**Identification speed:**  $\leq 2$  seconds

**FRR:**  $\leq 1\%$ ; **FAR:**  $\leq 0.0001\%$

**Temperature operating:**  $0^{\circ}\text{C} - 45^{\circ}\text{C}$

**Humidity operating:** 20%-80%

**Language:** English, Multinational Language

**Optional:** Workcode, Webserver, ID/Mifare card

**Weigand In:** Install reader outside

# F702-S Outstanding Points

---

## **1. Access Controller Built-In**

No need to connect with C2;

## **2. 128M U-Disk**

Easy to data maintenance;

## **3. Plastic Casing**

Easy to integrate proximity module;

## **4. Standard Weigand In**

Supports Anti-Passback;

---

# Compare with F702

---

Casing Material	Controller	USB Port	Proximity Card Compatibility	Weigand
-----------------	------------	----------	------------------------------	---------

F702



Metallic	External C2	No	Can not integrate	OUT
----------	-------------	----	-------------------	-----

F702-S



Plastic	Built-In	Yes	Easy to integrate	IN/OUT
---------	----------	-----	-------------------	--------

---